



A-T ARMATUREN-TECHNIK GMBH



Absperr-Armaturen, Regelventile, Turbinen-Umleitsysteme für Kraftwerkstechnik, Dampfanlagen und die Verfahrenstechnik
Isolating, Control Valves and Turbine Bypass Systems for the Electric Power Industry, Steam Plant Utilities and Process Industry



A-T ARMATUREN-TECHNIK GMBH
Babcock T-Building
Duisburger Str. 375
D-46049 Oberhausen

Phone: +49 208 833 1700
Fax: +49 208 833 1755



A-T ARMATUREN-TECHNIK GMBH
Duisburger Straße 375
Babcock T-Bldg.
46049 Oberhausen / Germany

Tel.: +49 208 833 1700
Tel.: +49 208 833 1755
E-Mail: sales@at-armaturen.com
Web: www.at-armaturen.com

Geschäftsführung: Manfred Leufgen
Handelsregister Duisburg
8 HRB 12842
Ust.-ID Nr. DE 811 850 770



Gate Valves

Wedge gate valves features and technical data	3
Wedge gate valves material specifications	4
ANSI Wedge gate valves	5
DIN Wedge gate valves	7
DIN Short-pattern wedge gate valves	9
Pressure seal gate valves features and technical data	10
Pressure seal gate valves material specifications	11
ANSI Pressure seal gate valves	12
Through conduit gate valves features and technical data	13
Single wedge through conduit gate valve	14
Double wedge through conduit gate valves	17

WEDGE GATE VALVES

Features

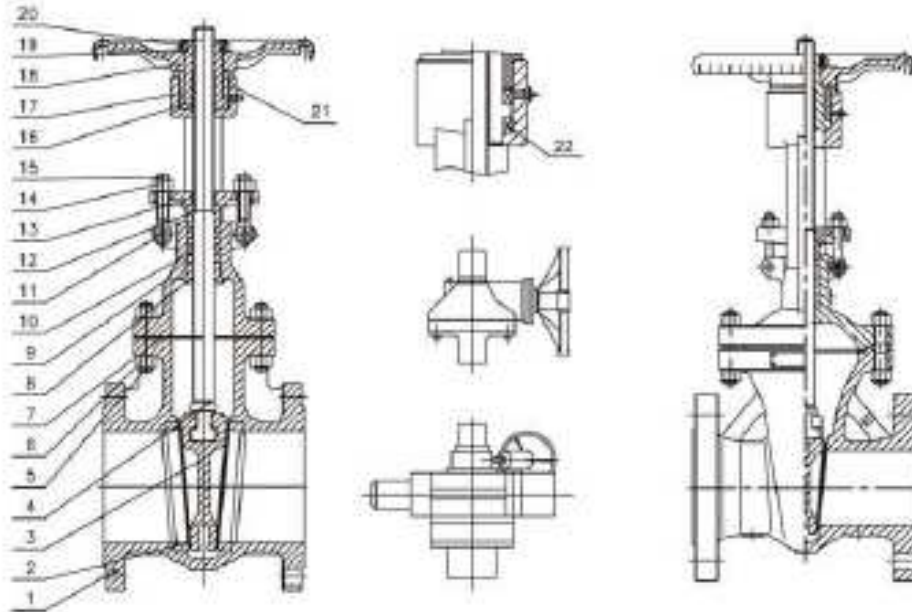
- I. Compact structure and reasonable design. The valve has fine stiffness, with small flow resistance.
- II. Adopt stainless steel and hard alloy for sealing surface, long service life.
- III. There is backseat structure in the valve, so the sealing is reliable.
- IV. The materials of the spare parts and the flange dimensions can be selected according to the practical working conditions and customer's requirement to meet the requirements of different projects.



Technical Data

Size:	NPS1-48, DN25-1000
Pressure class:	Class150 - Class2500 PN10 - PN420
Temperaure:	-254°C - 593°C
Design Standard:	ASME B16.34, EN 1984 API 600, DIN 3356
Face to face:	ASME B16.10, DIN EN 558
Flanged ends:	ASME B16.5, ASMB B16.47 DIN EN1092
Butt-welding ends:	ASME B16.25
Test and inspections:	ISO 5208, API 600 API 598, EN 12266.1

WEDGE GATE VALVES



Dimensions and weights

No.	Parts	Materials					
		Standard	Low Temperature		High Temperature	SS	
1	Body	A216 WCB	A352 LCB	A352 LC2	A217 WC6	A217 WC9	A351 CF8M
2	Seat	A105+13Cr	A187 F304	A182 F304	A182F11+STL	A182 F22+STL	
3	Wedge	A216 WCB+13Cr	A352 LCB+304	A352 LC2+304	A217 WC6+STL	A217 WC9+STL	A351 CF8M
4	Stem	A276 410	A276 304	A276 304	A276 410	A276 410	A276 316
5	Bonnet Bolt	A193 B7	A320 L7	A320 L7	A193 B16	A193 B16	A193 B8M
6	Bonnet Nut	A194 2H	A194 4	A194 4	A194 4	A194 4	A194 8M
7	Gasket	Graphite+304	Graphite+304	Graphite+304	Graphite+304	Graphite+304	Graphite+316
8	Backseat	A276 410	A276 304	A276 304	A276 410	A276 410	A276 316
9	Bonnet	A216 WCB	A352 LCB	A352 LC2	A217 WC6	A217 WC9	A351 CF8M
10	Packing	Graphite+304	Graphite+304	Graphite+304	Graphite+304	Graphite+304	Graphite+316
11	Eyebolt Pin	A29	A29	A29	A29	A29	SS
12	Gland	A276 410	A276 304	A276 304	A276 410	A276 410	A276 316
13	Gland Flange	CS	CS	CS	CS	CS	SS
14	Gland Nut	A194 2H	A194 4	A194 4	A194 4	A194 4	A194 8M
15	Gland Bolt	A193 B7	A320 L7	A320 L7	A193 B16	A193 B16	A193 B8M
16	Stem Nut	Bronze	Bronze	Bronze	Bronze	Bronze	Bronze
17	Stem Nut Retainer	A29	A29	A29	A29	A29	A29
18	Handwheel	Cast Iron	Cast Iron	Cast Iron	Cast Iron	Cast Iron	Cast Iron
19	Set screw	CS	CS	CS	CS	CS	SS
20	Handwheel Nut	A29	A29	A29	A29	A29	A29
21	Yoke	A216 WCB	A352 LCB	A352 LC2	A217 WC6	A217 WC9	A351 CF8M
22	Bearing	Assembly	Assembly	Assembly	Assembly	Assembly	Assembly

Note: The materials can be selected according to customer's requirement

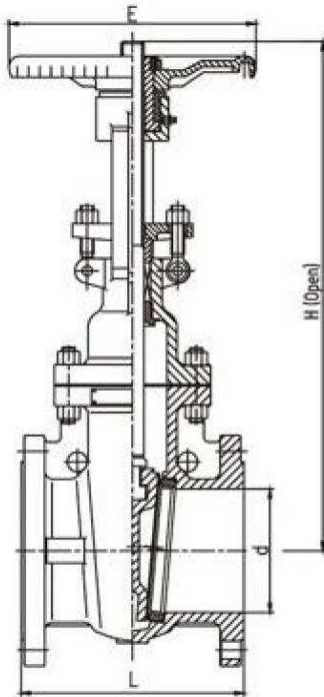
A-T ARMATUREN-TECHNIK GMBH
 Duisburger Straße 375
 Babcock T-Bldg.
 46049 Oberhausen / Germany

Tel.: +49 208 833 1700
 Tel.: +49 208 833 1755
 E-Mail: sales@at-armaturen.com
 Web: www.at-armaturen.com

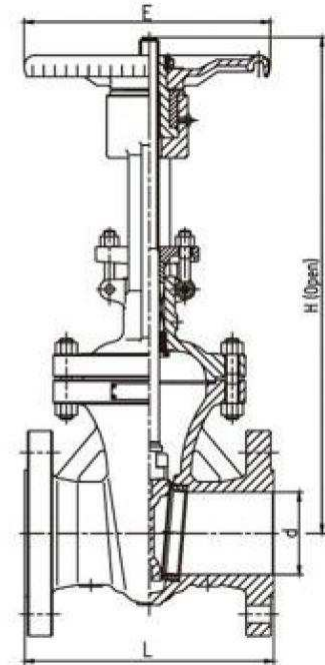
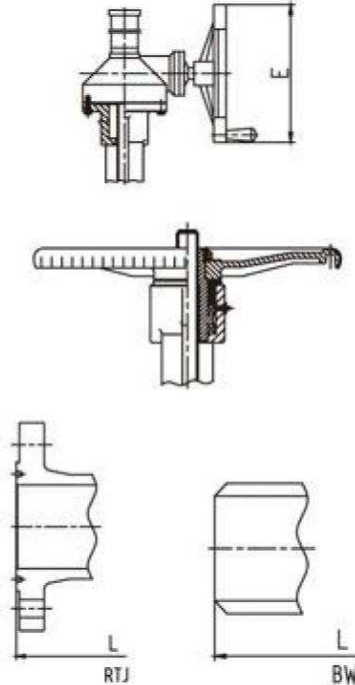
Geschäftsführung: Manfred Leufgen
 Handelsregister Duisburg
 8 HRB 12842
 Ust.-ID Nr. DE 811 850 770

Absperr-Armaturen, Regelventile, Turbinen-Umleitsysteme für Kraftwerkstechnik, Dampfanlagen und die Verfahrenstechnik
Isolating, Control Valves and Turbine Bypass Systems for the Electric Power Industry, Steam Plant Utilities and Process Industry

ANSI WEDGE GATE VALVES



Class 150



Class 300

Class 150, NPS≥10 and Class300, NPS≥8
 with bearing yoke and bolted bonnet.
 Class150, NPS≥10 and Class300, NPS≥8

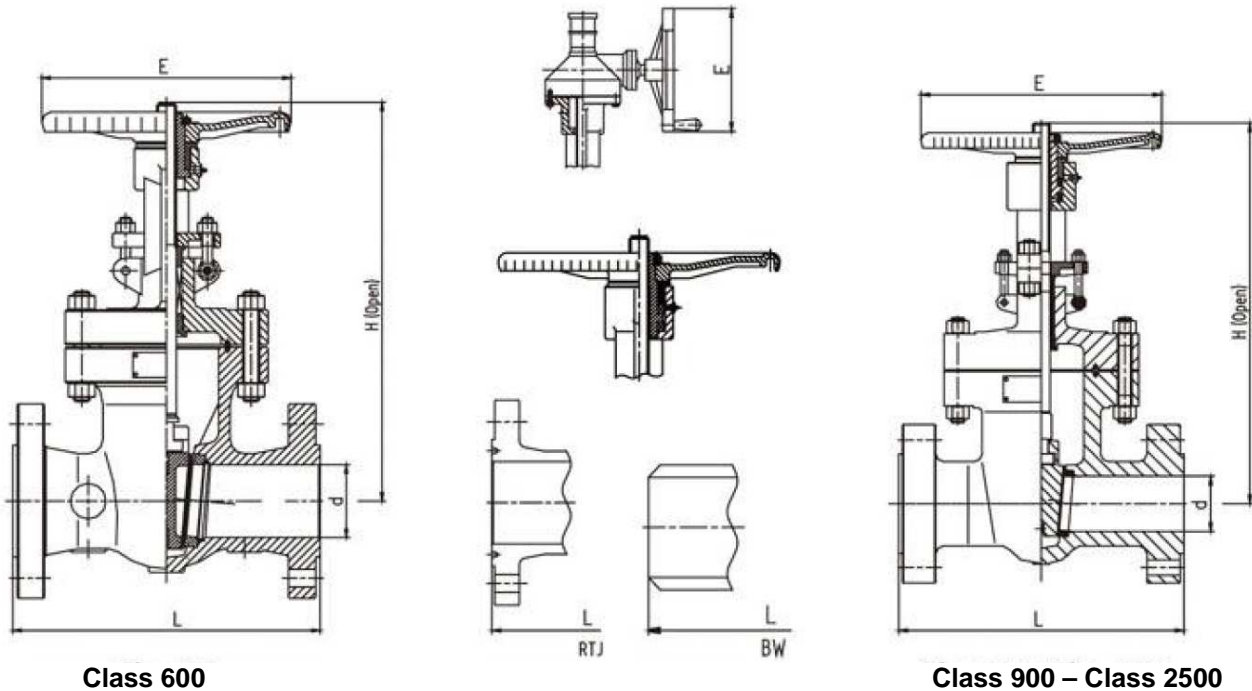
Class150, NPS≥26 and Class300, NPS≥18
 with gear operation
 Class150, 8≤NPS≤24 and Class, 8≤NPS≤16
 customer can choose gear operation or not
 Class150, NPS≥24 and Class 300, 8≤NPS≤16

Dimensions and weights

Class		Class 150																	
NPS (in)		2	2½	3	4	5	6	8	10	12	14	16	18	20	24	28	30	36	
Dimensions	d	51	64	76	102	127	152	203	254	305	337	387	438	489	591	692	743	874	
	L	RF	178	190	203	229	254	267	292	330	356	381	406	432	457	508	610	610	711
		BW	216	241	282	305	381	403	419	457	502	572	610	660	711	813	-	-	-
		RTJ	191	203	216	242	267	280	305	343	369	394	419	445	470	521	-	-	-
	H	387	435	481	585	681	765	956	1149	1351	1508	1703	1892	2119	2500	2960	3148	3721	
E	200	200	250	280	300	350	400	450	500	550	600	650	600	600	650	600	600	600	
Weight	RF	18	25	32	50	64	77	121	178	265	362	463	621	792	1190	1900	2540	3385	
	BW	15	18	26	41	58	69	108	156	248	330	424	587	752	1144	1838	2261	3310	
Class		Class 300																	
NPS (in)		2	2½	3	4	5	6	8	10	12	14	16	18	20	24	28	30	36	
Dimensions	d	31	64	76	102	127	152	203	254	305	337	387	432	483	584	635	686	737	
	L	RF	216	241	282	305	381	403	419	457	502	762	838	914	991	1143	1245	1346	1397
		BW	216	241	282	305	381	403	419	457	502	762	838	914	991	1143	1245	1346	1397
		RTJ	232	257	298	321	397	419	435	473	518	778	854	930	1010	1163	1270	1372	1422
	H	410	453	509	612	670	805	1000	1209	1416	1582	1725	1959	2194	2598	2986	3120	3205	
E	200	200	250	280	300	350	400	450	500	530	600	600	600	600	600	600	600	600	
Weight	RF	23	35	50	71	100	144	209	322	482	683	950	1145	1634	2660	3090	3312	3597	
	BW	17	26	39	53	79	113	164	256	390	565	805	964	1412	2304	2540	2725	3057	

Absperr-Armaturen, Regelventile, Turbinen-Umleitsysteme für Kraftwerkstechnik, Dampfanlagen und die Verfahrenstechnik
Isolating, Control Valves and Turbine Bypass Systems for the Electric Power Industry, Steam Plant Utilities and Process Industry

ANSI WEDGE GATE VALVES



Class 600

Class 900 – Class 2500

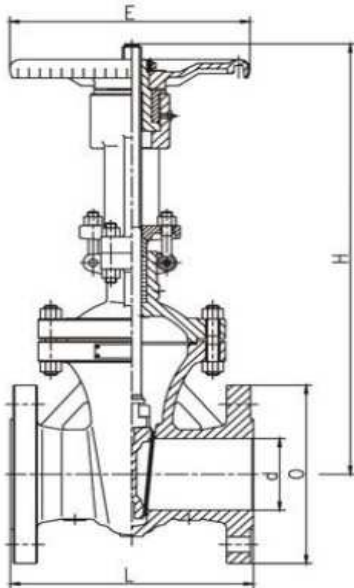
Class 600, NPS≥10 and Class900, NPS≥6
 with bearing yoke and bolted bonnet.
 Class600, NPS≥10 and Class900, Class1500
 NPS≥6

Class600, NPS≥14 and Class900, Class1500, NPS≥18
 with gear operation
 Class600, 8≤NPS≤12 and Class900, Class1500,
 4≤NPS≤6 customer can chose gear operation or not
 Class600, NPS≥14, Class 900, Class1500, NPS≥8

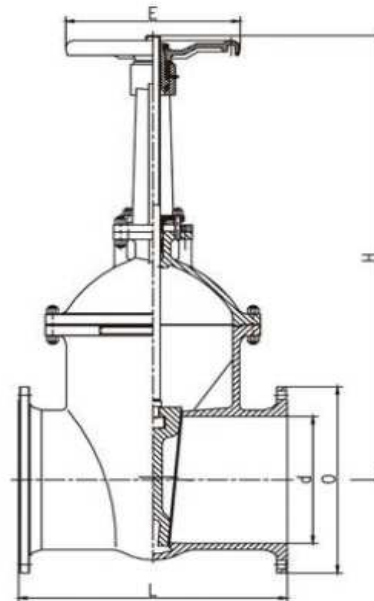
Dimensions and weights

Class		Class 600																
NPS (in)		2	2½	3	4	5	6	8	10	12	14	16	18	20	24	28	30	
Dimensions	d	51	64	76	102	127	152	203	254	305	337	387	438	489	591	692	743	
	L	RF	178	190	203	229	254	267	292	330	356	381	406	432	457	508	610	610
		BW	216	241	282	305	381	403	419	457	502	572	610	660	711	813	-	-
		RTJ	191	203	216	242	267	280	305	343	369	394	419	445	470	521	-	-
	H	387	435	481	585	681	765	956	1149	1351	1508	1703	1892	2119	2500	2960	3148	
E	200	200	250	280	300	350	400	450	500	550	600	650	600	600	650	600		
Weight	RF	18	25	32	50	64	77	121	178	265	362	463	621	792	1190	1900	2540	
	BW	15	18	26	41	58	69	108	156	248	330	424	587	752	1144	1838	2261	
Class		Class 900								Class 1500								
NPS (in)		2	2½	3	4	5	6	8	10	2	2½	3	4	5	6	8	10	
Dimensions	d	31	64	76	102	127	152	203	254	305	337	387	432	483	584	635	686	
	L	RF	216	241	282	305	381	403	419	457	502	762	838	914	991	1143	1245	1346
		BW	216	241	282	305	381	403	419	457	502	762	838	914	991	1143	1245	1346
		RTJ	232	257	298	321	397	419	435	473	518	778	854	930	1010	1163	1270	1372
	H	410	453	509	612	670	805	1000	1209	1416	1582	1725	1959	2194	2598	2986	3120	
E	200	200	250	280	300	350	400	450	500	530	600	600	600	600	600	600		
Weight	RF	23	35	50	71	100	144	209	322	482	683	950	1145	1634	2660	3090	3312	
	BW	17	26	39	53	79	113	164	256	390	565	805	964	1412	2304	2540	2725	

DIN WEDGE GATE VALVES



DN 50 – DN 300

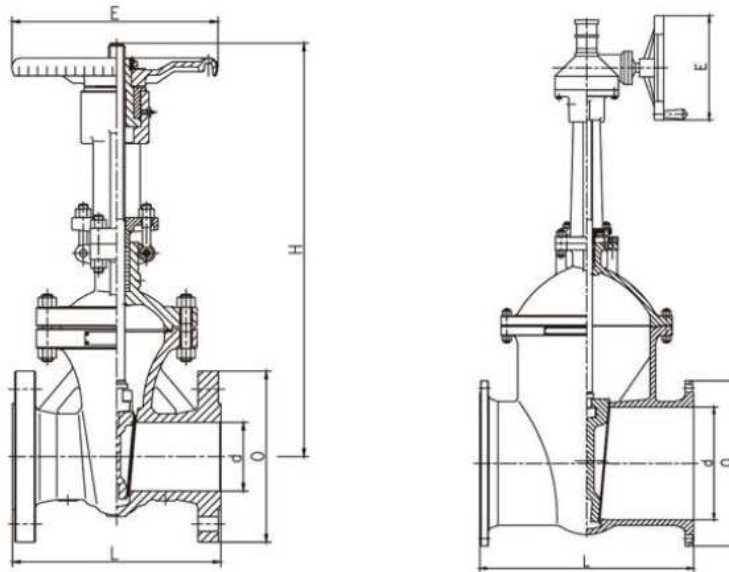


DN 350 – DN 600

Dimensions and weights (PN 16 – PN 25)

PN		PN 16													
DN (mm)		50	65	80	100	125	150	200	250	300	350	400	450	500	600
Dimensions	d	51	64	76	102	127	152	203	254	305	337	387	438	489	591
	L	178	190	203	229	254	267	292	330	356	381	406	432	457	508
	O	216	241	282	305	381	403	419	457	502	572	610	660	711	813
	H	387	435	481	585	681	765	956	1149	1351	1508	1703	1892	2119	2500
	E	200	200	250	280	300	350	400	450	500	550	600	650	600	600
Weight		18	25	32	50	64	77	121	178	265	362	463	621	792	1190
PN		PN 25													
DN (mm)		50	65	80	100	125	150	200	250	300	350	400	450	500	600
Dimensions	d	31	64	76	102	127	152	203	254	305	337	387	432	483	584
	L	216	241	282	305	381	403	419	457	502	762	838	914	991	1143
	O	216	241	282	305	381	403	419	457	502	762	838	914	991	1143
	H	410	453	509	612	670	805	1000	1209	1416	1582	1725	1959	2194	2598
	E	200	200	250	280	300	350	400	450	500	530	600	600	600	600
Weight		23	35	50	71	100	144	209	322	482	683	950	1145	1634	2660

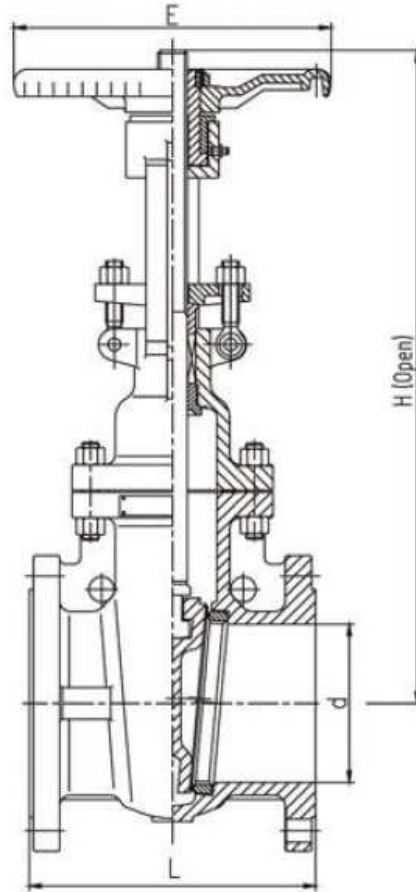
DIN WEDGE GATE VALVES



Dimensions and weights (PN 40 – PN 100)

PN		PN 40													
DN (mm)		50	65	80	100	125	150	200	250	300	350	400	450	500	600
Dimensions	d	50	65	80	102	127	152	203	254	305	336	387	432	483	584
	L	250	290	310	350	400	450	550	650	750	850	950	1050	1150	1350
	O	165	185	200	235	270	300	375	450	515	580	660	685	755	890
	H (open)	422	454	514	611	713	825	1046	1254	1472	1582	1725	1959	2194	2598
	E	200	200	250	280	300	350	400	450	500	550	600	600	750	900
Weight (kg)		20	32	47	60	95	130	220	290	490	760	900	1250	1450	1700
PN		PN 63													
DN (mm)		50	65	80	100	125	150	200	250	300	350	400	-	500	600
Dimensions	d	51	64	76	102	127	152	203	254	305	336	387	-	483	584
	L	250	290	310	350	400	450	550	650	750	850	950	-	1150	1350
	O	180	205	215	250	295	345	415	470	530	600	670	-	800	930
	H	418	476	518	646	770	839	1024	1229	1450	1574	1797	-	2207	2582
	E	200	250	280	300	400	450	500	600	650	800	900	-	610	610
Weight (kg)		22	35	52	66	103	140	230	300	510	780	940	-	1600	1850
PN		PN 100													
DN (mm)		50	65	80	100	125	150	200	250	300	350	400	-	500	-
Dimensions	d	51	64	76	102	127	152	200	247	298	327	374	-	463	-
	L	250	290	310	350	400	450	550	650	750	850	950	-	1150	-
	O	195	220	230	265	315	355	430	505	585	655	715	-	870	-
	H	498	547	573	678	728	900	1103	1345	1605	1770	2035	-	2485	-
	E	280	300	300	350	450	550	600	700	800	550	600	-	750	-
Weight (kg)		25	39	58	74	113	152	242	323	533	803	990	-	1860	-

DIN SHORT-PATTERN WEDGE GATE VALVES



Dimensions and weights

PN		PN 16													
DN (mm)		50	65	80	100	125	150	200	250	300	350	400	450	500	600
Dimensions	d	51	64	76	102	127	152	203	254	305	336	387	438	489	591
	L	105	170	180	190	200	210	230	250	270	290	310	330	350	390
	O	165	185	200	220	250	285	340	395	445	505	565	615	670	780
	H	387	435	481	585	681	765	956	1149	1351	1508	1703	1892	2119	2500
	E	200	200	250	280	280	300	350	400	450	500	550	600	600	650
Weight		16	23	28	42	72	84	134	216	320	470	730	965	1043	1372
PN		PN 25													
DN (mm)		50	65	80	100	125	150	200	250	300	350	400	450	500	600
Dimensions	d	51	64	76	102	127	152	203	254	305	336	387	438	489	591
	L	105	170	180	190	200	210	230	250	270	290	310	330	350	390
	O	165	185	200	220	250	285	340	405	460	520	580	640	715	840
	H	387	435	481	585	681	765	956	1149	1351	1508	1703	1892	2119	2500
	E	200	200	250	280	280	300	350	400	450	500	550	600	600	650
Weight		16	23	28	42	72	84	134	230	340	500	760	1000	1103	1402

PRESSURE SEAL GATE VALVES

Features

- I. Body material: Carbon steel or stainless steel.
- II. Welding slide structure.
- III. Sealing surface: hard face.
- IV. Trapezoidal shape pressure seal gasket with integral graphite insures a lower-load for bolting.
- V. ISO standard top flange makes an easy assembling for any type of actuator or gear.
- VI. Wedge vent hole, bypass, switch indicator and other similar devices can be chosen according to customer's requirement.



Technical Data

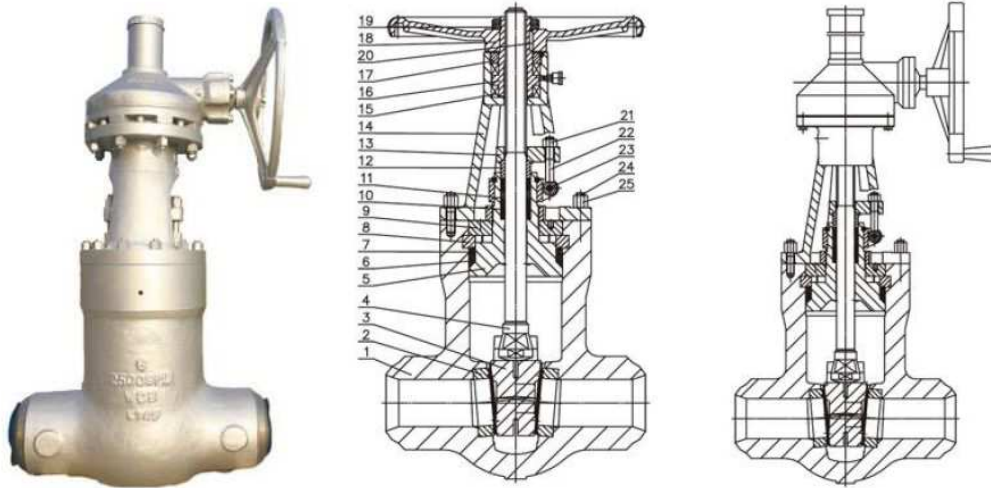
Size:	NPS 2 – 24
Pressure ratings:	Class600 - Class2500
Temperature:	-29 °C – 593 °C
Design Standard:	ASME B16.34, API 600
Face to face:	ASME B16.10
Flanged ends:	ASME B16.5
Butt-welding ends:	ASME B16.25
Test and inspections:	ISO 5208, API 598 API 600

Notes: The flange and butt-welding dimensions can be designed according to customer's requirement

General Application

Pressure seal gate valves are used in pipeline of water, steam and high temperature medim.

PRESSURE SEAL GATE VALVES

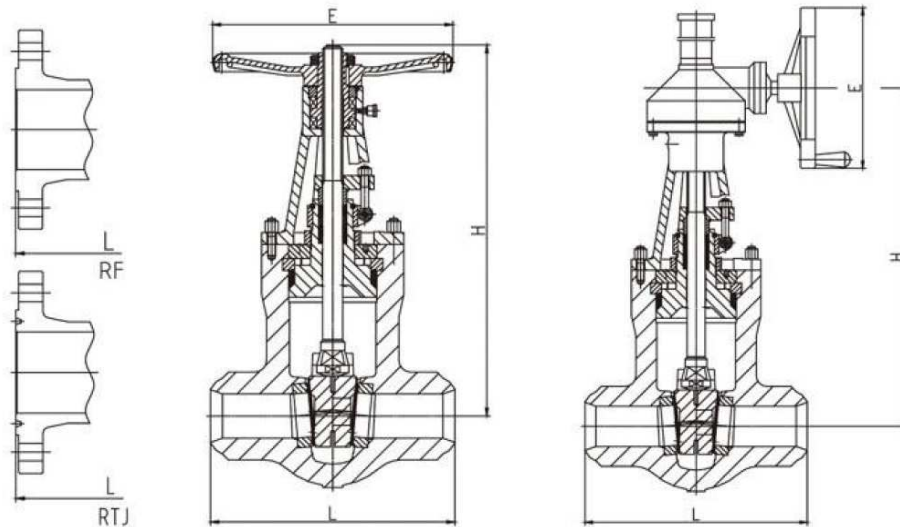


Material specifications

No.	Parts	Materials			
		Standard	High Temperature		Corrosion Service
1	Body	A216 WCB	A217 WC6	A217 WC9	A351 CF8M
2	Seat	A105r	A182 F11	A182 F22	A182 F316
3	Wedge	A216 WCB	A217 WC6	A217 WC9	A351 CF8M
4	Stem	A276 410	A276 410	A276 410	A276 316
5	Valve Core	A216 WCB	A217 WC6	A217 WC9	A351 CF8M
6	Seal Ring	Graphite+304	Graphite+304	Graphite+304	Graphite+304
7	Gland Ring	A276 410	A276 410	A276 410	A276 316
8	Segment Ring	A276 410	A276 410	A276 410	A276 316
9	Supporting Plate	A105	A182 F11	A182 F22	A182 F316
10	Lantern Ring	A276 410	A276 410	A276 410	A276 316
11	Packing	Graphite+304	Graphite+304	Graphite+304	Graphite+316
12	Gland	A276 410	A276 304	A276 304	A276 316
13	Gland Flange	CS	CS	CS	SS
14	Yoke	A216 WCB	A217 WC6	A217 WC9	A351 CF8M
15	Bearing	Assembly	Assembly	Assembly	Assembly
16	Stem Nut	Bronze	Bronze	Bronze	Bronze
17	Stem Nut Retainer	A29	A29	A29	A29
18	Handwheel	Cast Iron	Cast Iron	Cast Iron	Cast Iron
19	Handwheel Nut	A29+Zn	A29+Zn	A29+Zn	A29+Zn
20	Set Screw	CS	CS	CS	CS
21	Nut	A194 2H	A194 4	A194 4	A194 8M
22	Eyebolt	A193 B7	A193 B16	A193 B16	A194 B8M
23	Pin	A29	A29	A29	A29
24	Bolt	A193 B7	A193 B16	A193 B16	A193 B8M
25	Nut	A194 2H	A194 2H	A194 4	A194 8M

Absperr-Armaturen, Regelventile, Turbinen-Umleitsysteme für Kraftwerkstechnik, Dampfanlagen und die Verfahrenstechnik
Isolating, Control Valves and Turbine Bypass Systems for the Electric Power Industry, Steam Plant Utilities and Process Industry

ANSI PRESSURE SEAL GATE VALVES



NPS≤4
 Handwheel operation

Class900, NPS≥8; Class1500, NPS≥8; Class2500, NPS≥6
 Gear operation

Dimensions and weights (Class 900 – 2500)

Class		Class 900										
NPS (in)		2	2½	3	4	6	8	10	12	14	16	
Dimensions	L	d	47	67	73	98	146	191	238	282	311	356
		RF	368	419	381	457	610	737	838	965	1029	1130
		BW	216	254	305	356	508	660	787	914	991	1092
		RTJ	371	422	384	460	613	740	841	968	1039	1140
	H	594	753	756	864	1013	1276	1543	1781	2026	2261	
E	250	250	300	350	500	600	610	610	610	610	610	
Weight	RF	63	99	107	158	294	693	1088	1418	1785	2520	
	BW	42	67	84	105	194	520	772	1103	1470	2048	
Class		Class 1500										
NPS (in)		2	2½	3	4	6	8	10	12	14	16	
Dimensions	L	d	47	57	70	92	136	178	222	263	289	3330
		RF	368	419	470	546	705	832	991	1130	1257	1384
		BW	216	254	305	406	559	711	864	991	1067	1194
		RTJ	371	422	473	549	711	842	1001	1146	1276	1406
	H	594	753	756	864	994	1349	1480	1870	2216	2331	
E	250	300	350	500	600	458	458	610	610	610	610	
Weight	RF	63	99	126	218	504	956	1481	2184	2741	3780	
	BW	42	67	84	155	367	718	1071	1523	1890	2888	
Class		Class 2500										
NPS (in)		2	2½	3	4	6	8	10	12	-	-	
Dimensions	L	d	38	47	57	73	111	146	184	219	-	-
		RF	451	508	578	673	914	1022	1270	1422	-	-
		BW	279	330	368	457	610	762	914	1041	-	-
		RTJ	454	514	584	683	927	1038	1292	1444	-	-
	H	594	753	756	870	1129	1389	1748	1873	-	-	
E	350	450	450	500	610	610	610	610	610	-	-	
Weight	RF	89	142	173	346	851	1386	2493	3091	-	-	
	BW	53	95	100	200	488	850	1680	2330	-	-	

THROUGH CONDUIT GATE VALVES

Features

- I. Compact structure, rational design, good stiffness and small flow resistance.
- II. Wedge with flow guide hole is always fitted with the sealing face in full open and close position to prevent be directly eroded from the medium so as to prolong service life.
- III. When fully opened, flow channel of valve is smooth and linear, extremely small flow resistance and no pressure loss, and the pipeline can be pigged.
- IV. The part materials and flange dimensions may be designed according to different working condition and customer's requirement



Technical Data

Size:	NPS 2 – 36
Pressure ratings:	Class150 – Class1500
Temperature:	-29 °C – 450 °C
Design Standard:	API 6D, API 598
Face to face:	API 6D, ASME B16.10
Flanged ends:	ASME B16.5
Butt-welding ends:	ASME B16.25
Test and inspections:	ISO 5208, API 6D API 600

Notes: The flange and butt-welding dimensions can be designed according to customer's requirement

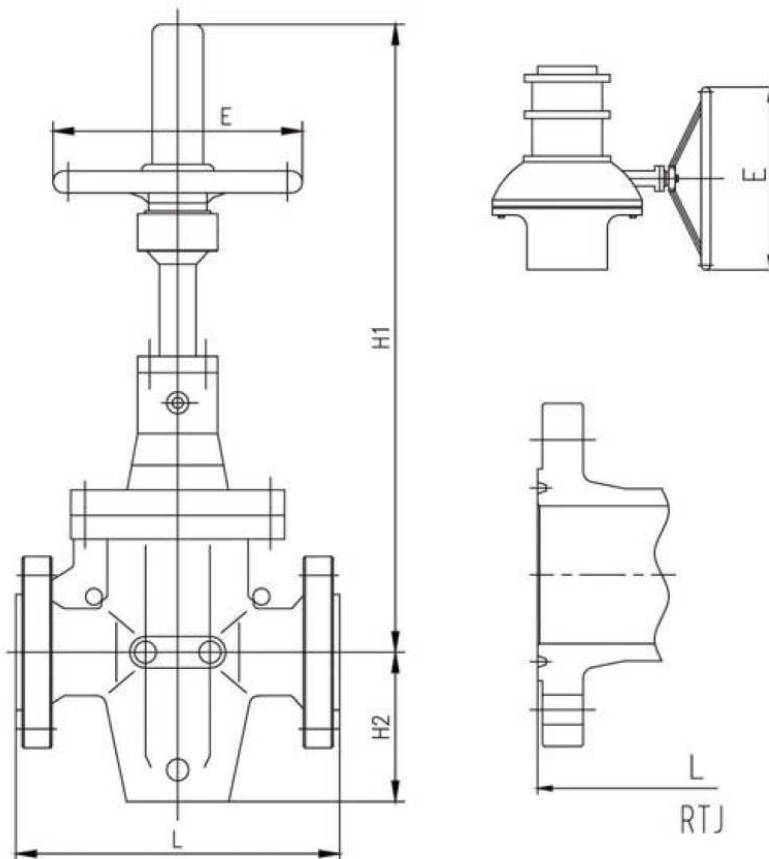
Absperr-Armaturen, Regelventile, Turbinen-Umleitsysteme für Kraftwerkstechnik, Dampfanlagen und die Verfahrenstechnik
Isolating, Control Valves and Turbine Bypass Systems for the Electric Power Industry, Steam Plant Utilities and Process Industry

SINGLE WEDGE THROUGH CONDUIT GATE VALVES

Class 150, NPS ≥ 4: Gear operation

Parts	Materials
Body	A216 WCB
Bonnet	A216 WCB
Gate	A105
Seat	A105
Packing	PTFE
O-ring	Viton
Stem	A182 F6a
Bolt	A193 B7
Fitting	CS

Note: The materials can be selected according to customer's requirement



Dimensions and weights (Class 150)

Class		Class 150													
NPS (in)		2	2½	3	4	6	8	10	12	14	16	18	20	24	
Dimensions	d	49	62	74	100	150	201	252	303	334	385	436	487	589	
	L	RF	178	190	203	229	267	292	330	356	381	406	432	457	508
		RTJ	191	203	216	242	280	305	343	369	394	419	445	470	521
	H1	464	581	660	762	1067	1251	1575	1650	1822	2019	2143	2381	2788	
	H2	146	184	210	279	340	419	499	581	635	689	765	851	1035	
E	350	350	350	350	550	550	550	550	760	910	610	610	610		
Weight (kg)		23	27	34	56	101	158	248	349	439	517.5	664	956	1237.5	

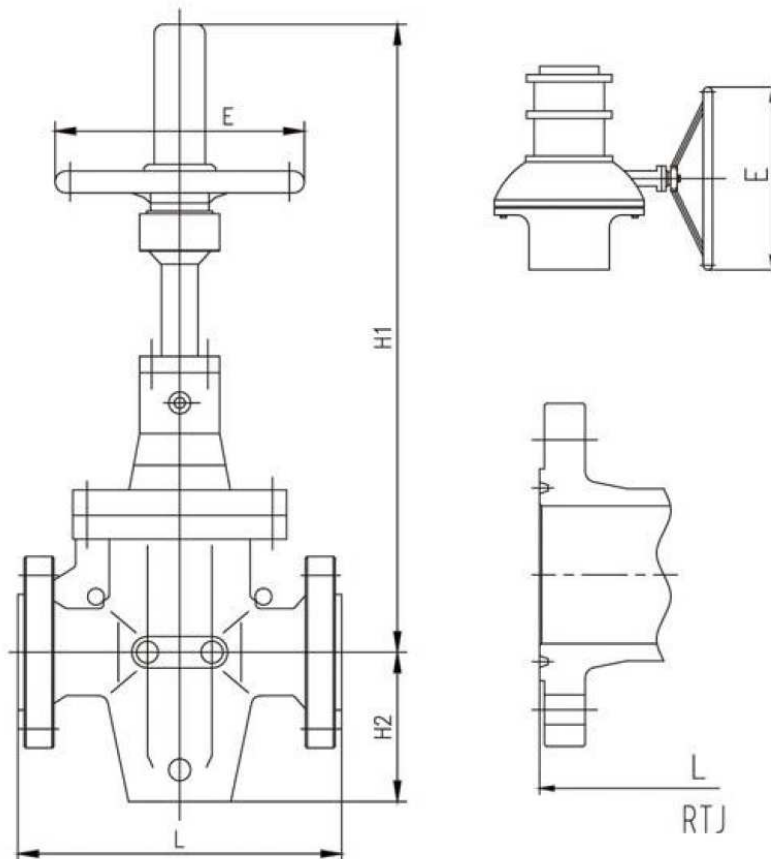
Absperr-Armaturen, Regelventile, Turbinen-Umleitsysteme für Kraftwerkstechnik, Dampfanlagen und die Verfahrenstechnik
Isolating, Control Valves and Turbine Bypass Systems for the Electric Power Industry, Steam Plant Utilities and Process Industry

SINGLE WEDGE THROUGH CONDUIT GATE VALVES

Class 300, NPS≥18 and
 Class 600, NPS≥14 Gear operation

Parts	Materials
Body	A216 WCB
Bonnet	A216 WCB
Gate	A105
Seat	A105
Packing	PTFE
O-ring	Viton
Stem	A182 F6a
Bolt	A193 B7
Fitting	CS

Note: The materials can be selected according to customer's requirement



Dimensions and weights (Class 300 – Class 600)

Class		Class 300													
NPS (in)		2	2½	3	4	6	8	10	12	14	16	18	20	24	
Dimensions	d	49	62	74	100	150	201	252	303	334	385	436	487	589	
	L	RF	216	241	282	305	403	419	457	502	762	838	914	991	1143
		RTJ	232	257	298	321	419	435	473	518	778	854	930	1010	1163
	H1	464	581	660	762	1067	1251	1575	1650	1822	2019	2143	2381	2788	
	H2	146	184	210	279	340	419	499	581	648	702	781	876	1048	
E		350	350	350	350	550	550	550	550	760	910	610	610	610	
Weight (kg)		34	45	68	90	169	259	394	563	923	1114	1496	2182.5	3352.5	
Class		Class 600													
NPS (in)		2	2½	3	4	6	8	10	12	14	16	18	20	24	
Dimensions	d	49	62	74	100	150	201	252	303	334	385	436	487	589	
	L	RF	292	330	356	432	559	660	787	838	889	991	1092	1194	1397
		RTJ	295	333	359	435	562	663	790	841	892	994	1095	1200	1407
	H1	464	581	660	762	1067	1251	1575	1557	1822	2019	2143	2381	2788	
	H2	152	191	216	286	340	419	498	581	660	727	810	940	1130	
E		350	350	350	350	550	550	760	760	610	610	910	910	910	
Weight (kg)		45	63	79	146	304	484	878	1147.5	1507.5	1800	2396	3352.5	5411	

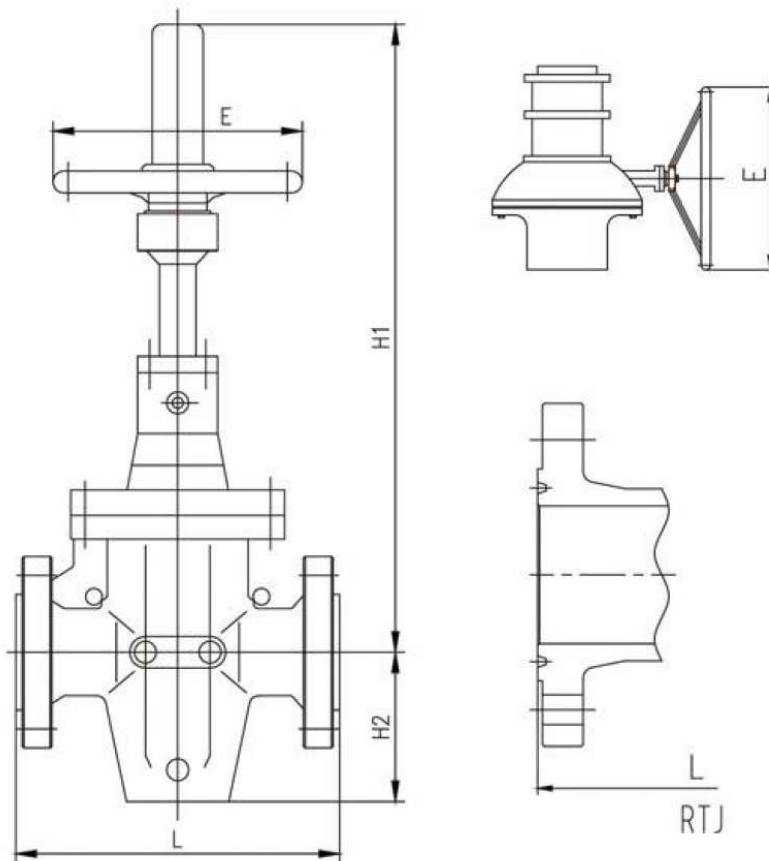
Absperr-Armaturen, Regelventile, Turbinen-Umleitsysteme für Kraftwerkstechnik, Dampfanlagen und die Verfahrenstechnik
Isolating, Control Valves and Turbine Bypass Systems for the Electric Power Industry, Steam Plant Utilities and Process Industry

SINGLE WEDGE THROUGH CONDUIT GATE VALVES

Class 900, NPS≥12 and
 Class 1500, NPS≥8 Gear operation

Parts	Materials
Body	A216 WCB
Bonnet	A216 WCB
Gate	A105
Seat	A105
Packing	PTFE
O-ring	Viton
Stem	A182 F6a
Bolt	A193 B7
Fitting	CS

Note: The materials can be selected according to customer's requirement



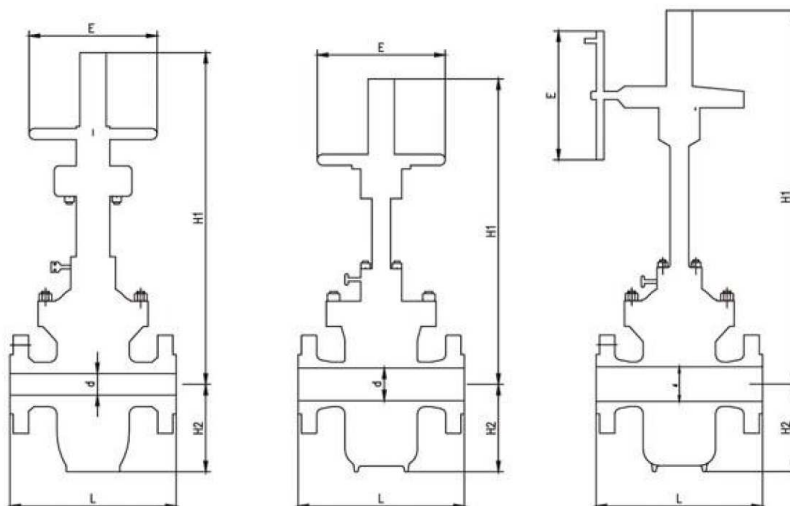
Dimensions and weights (Class 900 – Class 1500)

Class		Class 900													
NPS (in)		2	2½	3	4	6	8	10	12	14	16	18	20	24	
Dimensions	d	49	62	74	100	150	201	252	303	322	373	423	471	570	
	L	RF	368	419	381	457	610	737	838	965	1029	1130	1219	1321	1549
		RTJ	371	422	384	460	613	740	841	968	1039	1140	1232	1334	1568
	H1	473	597	679	800	1133	1321	1632	1632	1902	2096	2207	2499	3004	
	H2	152	190.5	229	292	346	425	508	603	660	727	810	940	1130	
E		350	350	350	350	550	760	760	610	610	610	910	910	910	
Weight (kg)		101	112.5	124	202.5	382.5	697.5	1170	1687.5	2306	2857.5	3645	5254	8482.5	
Class		Class 1500													
NPS (in)		2	2½	3	4	6	8	10	12	14	16	-	-	-	
Dimensions	d	49	62	74	100	144	192	239	287	315	360	-	-	-	
	L	RF	368	419	470	546	705	832	991	1130	1257	1384	-	-	-
		RTJ	371	422	473	549	711	842	1001	1146	1276	1406	-	-	-
	H1	473	597	679	800	1245	1384	1702	1702	1956	2175	-	-	-	
	H2	152	190.5	229	292	371	464	565	670	737	825.5	-	-	-	
E		350	350	350	460	610	610	610	610	910	910	-	-	-	
Weight (kg)		101	112.5	157.5	304	607.5	1103	1913	2925	4177.5	5175	-	-	-	

Absperr-Armaturen, Regelventile, Turbinen-Umleitsysteme für Kraftwerkstechnik, Dampfanlagen und die Verfahrenstechnik
Isolating, Control Valves and Turbine Bypass Systems for the Electric Power Industry, Steam Plant Utilities and Process Industry

DOUBLE WEDGE THROUGH CONDUIT GATE VALVES

2≤NPS≤12 Manual;
 14≤NPS≤36 Gear operation



Parts	Materials
Body	A216 WCB
Bonnet	A216 WCB
Gate	A105
Seat	A105
Packing	PTFE
O-ring	Viton
Stem	A182 F6a
Bolt	A193 B7
Fitting	CS

Note: The materials can be selected according to customer's requirement

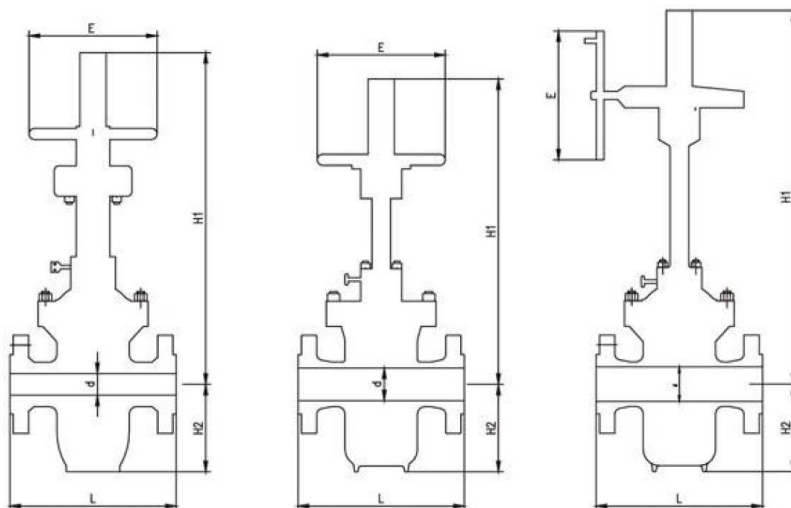
Dimensions and weights (Class 300 – Class 600)

Class		Class 300															
NPS (in)		6	8	10	12	14	16	18	20	24	26	30	36	-	-	-	
Dimensions	d	150	201	252	303	334	385	436	487	589	633	735	874	-	-	-	
	L(RF,BW)	403	419	457	501	762	838	914	991	1143	1245	1397	1727	-	-	-	
	H1	1149	1454	1607	1864	1674	2123	2203	2699	2940	3099	3654	4718	-	-	-	
	H2	317.5	406	508	578	641	714	787	895	1067	1146	1346	1607	-	-	-	
Weight (kg)	E	610	610	610	762	610	610	610	610	610	610	610	610	-	-	-	
	RF	214	387	610	850.5	1194	1565	2109	2834	4844	5715	7258	13608	-	-	-	
	BW	180	341	544	676	1012	1368	1932	2622	4332	5450	6654	12701	-	-	-	
Class		Class 600															
NPS (in)		2	3	4	6	8	10	12	14	16	18	20	24	26	28	30	36
Dimensions	d	49	74	100	150	201	252	303	334	385	436	487	589	633	684	735	874
	L(RF,BW)	292	356	432	559	660	787	838	889	991	1092	1194	1397	1448	1549	1651	2083
	H1	451	606	686	1149	1454	1648	1864	1771	2061	2197	2492	2883	3099	3499	3607	4337
	H2	122	176	219	321	394	502	584	649	714	803	914	1073	1165	1235	1346	1622
Weight (kg)	E	305	305	356	610	610	762	762	610	610	910	910	910	910	910	910	910
	RF	41	82	156	270	466	787	1374	1379	2005	2588	3445	5894	7068	9231	11340	13449
	BW	33	65	117	225	331	621	1070	1330	1792	2320	3227	5162	6161	8346	10433	12459

Absperr-Armaturen, Regelventile, Turbinen-Umleitsysteme für Kraftwerkstechnik, Dampfanlagen und die Verfahrenstechnik
Isolating, Control Valves and Turbine Bypass Systems for the Electric Power Industry, Steam Plant Utilities and Process Industry

DOUBLE WEDGE THROUGH CONDUIT GATE VALVES

2≤NPS≤12 Manual;
 14≤NPS≤36 Gear operation



Parts	Materials
Body	A216 WCB
Bonnet	A216 WCB
Gate	A105
Seat	A105
Packing	PTFE
O-ring	Viton
Stem	A182 F6a
Bolt	A193 B7
Fitting	CS

Note: The materials can be selected according to customer's requirement

Dimensions and weights (Class 900)

Class		Class 900						
NPS (in)		2	3	4	8	12	14	16
Dimensions	d	49	74	100	201	303	322	373
	L(RF,BW)	368	381	457	737	965	1029	1130
	H1	451	606	724	1454	1803	1772	2061
	H2	129	186	230	400	597	664	768
Weight (kg)	E	305	305	457	610	762	610	610
	RF	68	120	234	578	1539	2359	3332
	BW	33	88	177	471	1236	2224	2919



A-T ARMATUREN-TECHNIK GMBH



Absperr-Armaturen, Regelventile, Turbinen-Umleitsysteme für Kraftwerkstechnik, Dampfanlagen und die Verfahrenstechnik
Isolating, Control Valves and Turbine Bypass Systems for the Electric Power Industry, Steam Plant Utilities and Process Industry



A-T ARMATUREN-TECHNIK GMBH

Babcock T-Building
Duisburger Str. 375
D-46049 Oberhausen

Phone: +49 208 833 1700

Fax: +49 208 833 1755



PED 97/23/EC



ISO 9001



API 6A



API 6D

A-T ARMATUREN-TECHNIK GMBH
Duisburger Straße 375
Babcock T-Bldg.
46049 Oberhausen / Germany

Tel.: +49 208 833 1700
Tel.: +49 208 833 1755
E-Mail: sales@at-armaturen.com
Web: www.at-armaturen.com

Geschäftsführung: Manfred Leufgen
Handelsregister Duisburg
8 HRB 12842
Ust.-ID Nr. DE 811 850 770